

General Description

The EVDD415 evaluation board is a general-purpose circuit board designed to simplify the evaluation of the IXYS/DEI IXDD415 gate drive IC, as well as to provide a building block for power circuit development. The IXDD415SI SO-28 package gate driver is factory-installed in the EVDD415. The board enables the user to drive MOSFETs in the DEI DE-150 or DE-275 RF package types. The evaluation board design allows these MOSFETs to be attached to a heat sink, and in so doing the board assembly can be used as a ground referenced, low side power switch for both single-ended and push-pull configurations. Circuitry for the Tri-State function is included on the evaluation board.

Figure 1 is a photograph of the IXDD415 Evaluation Board loaded with an IXDD415SI driver and a DE275-102N06A MOSFET. The low level inputs are shown on the left side of the board. J1 is a TTL high true input connected to the INA and INB pins which control the on or off state of the power switch U2. E9 is a low true input connected to the ENA and ENB pins, which control the Tri-State output. E1 is the low voltage, (8-30V) power input connected to VCC-IN of the IC, (see Figure 3 below). Figure 2 illustrates the MOSFET mounting of a DE-Series MOSFET. The MOSFET is mounted on the back side of the PCB.

Circuit Operation

The schematic diagram for the evaluation board is shown in Figure 4. The control gate is applied to R4 then on the input pins 7 and 8 of the IC U1. This signal input is followed in time by the output pins 19 through 24 U1. Pins 1 through 4 and 11 through 14 U1 are attached to +VCC via a decoupling network comprised of R1, C1, C2, C3 through C10 and C13 through C16. Pins 5, 10, 15 through 18 and 25 through 28 U1 are attached to the circuit ground plane. This is the preferred arrangement of the bypassing for the Vcc input power. The enable pins 6 and 9 of U1 are attached to the drain of Q1. This device is used to level translate and provide an invert function for the Tri-State mode. The drain of Q1 is also attached to the gate of the MOSFET thru R9 and D1. In the Tri-State mode the turn off time of the power MOSFET is determined by the time constant of the input gate capacitance C_{iss} and the value of the resistor R9. See the IXDD415 data sheet for additional information on this mode of operation.

The U1 output is available at pins 19 through 24 of U1. The board is designed to parallel the two outputs of the IXDD415 IC, generating up to 20A⁽¹⁾ of output current. The three output pins for each channel should always be paralleled to reduce circuit inductance, and to provide the current-carrying capability required for the high output current capability of the IXDD415.

There are two test points on the board: E6 for Control and E7 for the Drain. These allow the user to easily attach an oscilloscope probe and the associated ground to the circuit to verify performance.

The drain output section is designed to allow the user to install the load of choice as well as the type of high voltage

bypassing. The Drain pad is labeled E7. The large pad to the right of E7 is intended for the Vds power supply connection. Surrounding the drain pad and the Vds pad is a power ground pad. In the circuit diagram this pad is labeled E8.



**Figure 1 - EVDD415 Evaluation Board
DEI DE275-102N06A Device Installed In Low-Power Configuration For Illustration Purposes Only**

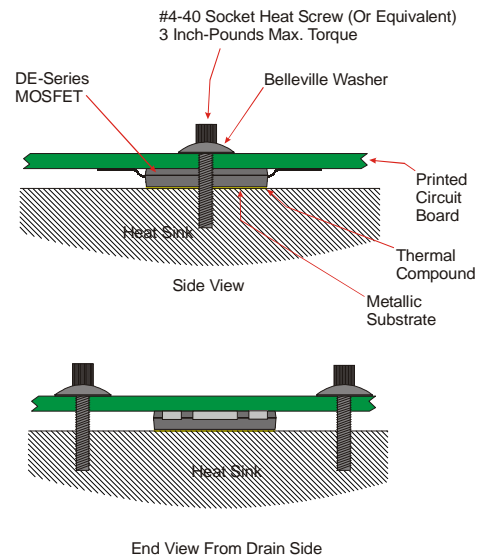


Figure 2 - EVDD415 Side Views Showing DE-Series Power Device Installed In A High-Power Configuration⁽²⁾

INPUT	FUNCTION
J1 (SMB)	Control Input - 3V into 1K Ohms
E2, E4, E5, E8, E10	Ground
E9	Enable, LOW = True, HIGH = Tri-State Mode
E1	VCC input - 8V to 25V

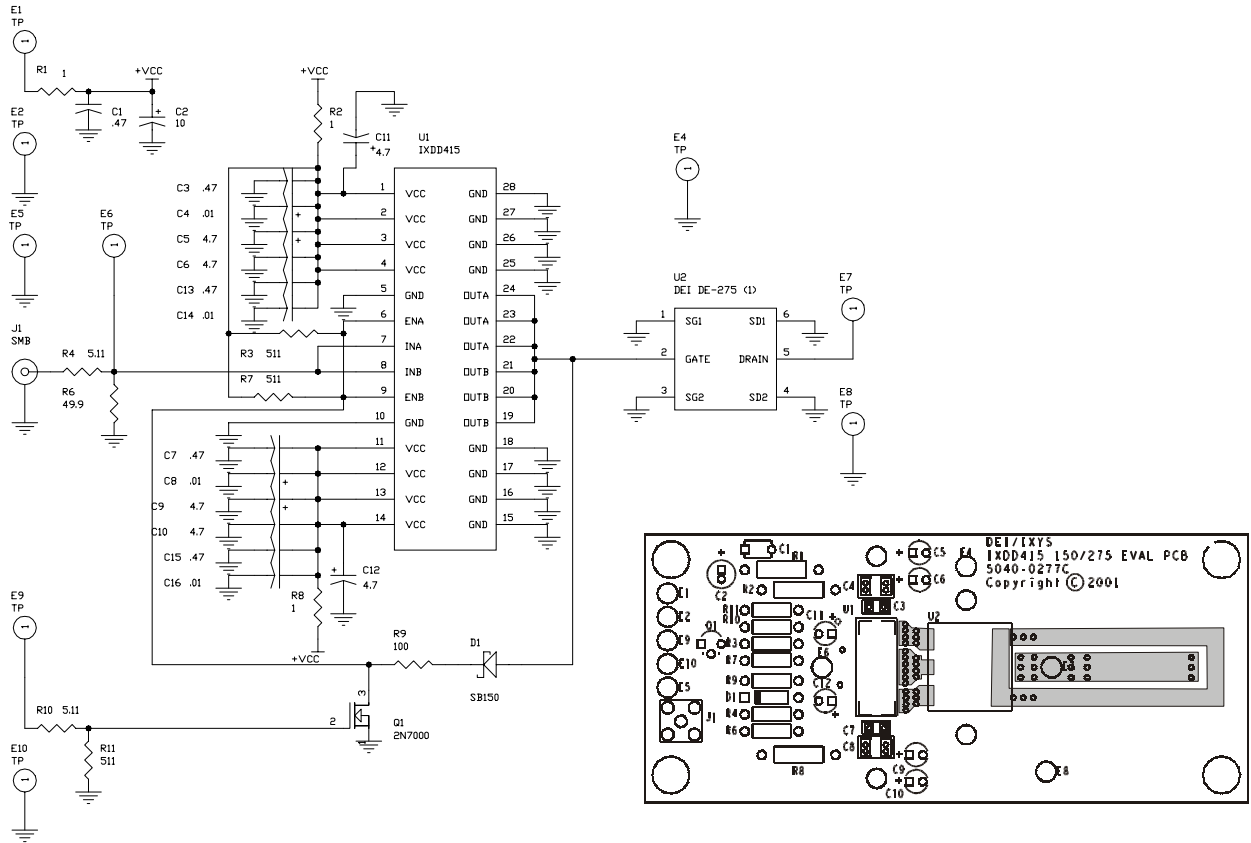
Figure 3 - Input Pin-Out Table

ORDERING INFORMATION	
Part Number	Installed Device
EVDD415	Accommodates DEI DE-150 and DE-275 Series MOSFET Devices

⁽¹⁾ Each output of the IXDD415 can provide 15A of current, but when both outputs are driven simultaneously, as with the EVDD415, the maximum output current should be limited to 20A.

⁽²⁾ For additional device installation instructions, see the technical note "DE-Series MOSFET Mounting & Installation Instructions" on the DEI web site at www.directedenergy.com/apptech.htm.

Figure 4 - EVDD415 Schematic Diagram And Circuit Board Layout



NOTES: 1) The schematic shows a DE275 MOSFET, however a DEI DE-150 or DE-275 package type may be installed on the EVDD415. The EVDD415 is provided without a MOSFET, so that the user can install the appropriate MOSFET for their application.

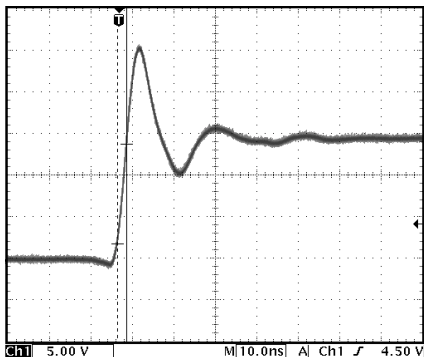


Figure 5 - EVDD415 2.2ns (2V to 12V) Gate Rise Time
CL=1000pF

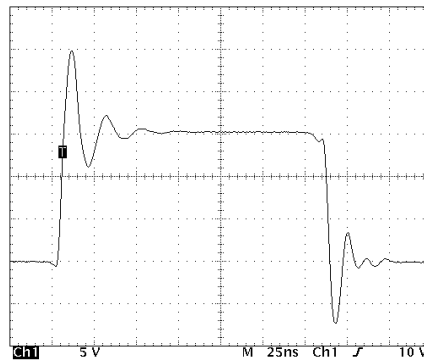


Figure 6 - EVDD415 Typical Gate Waveform
CL=1000pF

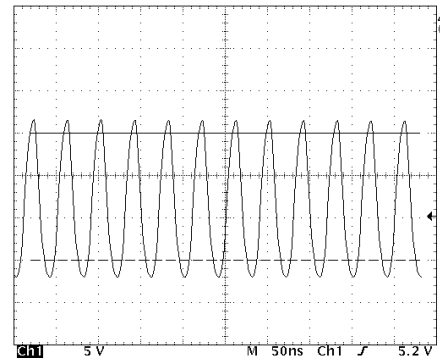


Figure 7 - EVDD415 Typical Output Waveform
F=50MHz Burst, CL=1000pF

For additional performance data and electrical waveforms, see the IXDD415SI Data Sheet on the DEI or IXYS web sites.

Directed Energy, Inc.
An IXYS Company
2401 Research Blvd. Ste. 108
Ft. Collins, CO 80526
Tel: 970-493-1901; Fax: 970-493-1903
e-mail: deiinfo@directedenergy.com
www.directedenergy.com

IXYS Corporation
3540 Bassett St; Santa Clara, CA 95054
Tel: 408-982-0700; Fax: 408-496-0670
e-mail: sales@ixys.net
www.ixys.net

IXYS Semiconductor GmbH
Edisonstrasse15 ; D-68623; Lampertheim
Tel: +49-6206-503-0; Fax: +49-6206-503627
e-mail: marcom@ixys.de